



Good Neighbor Outdoor Lighting

Why is there outdoor lighting?

Outdoor lighting is used to illuminate roadways, parking lots, yards, sidewalks, public meeting areas, signs, work sites, and buildings. It provides us with better visibility and a sense of security.

Why should we be concerned?

If outdoor lighting is not well-designed and properly installed, it can be costly, inefficient, harmful to nighttime environment and produce a glare.

These are the issues:

- *Energy Waste:* Much of our outdoor lighting wastes energy because it is not well-designed. This waste results in high operating costs and increased environmental pollution from the extra power generation needs.
- *Light Trespass:* Improper outdoor lighting shines onto neighborhood properties and into bedroom windows, reducing privacy, hindering sleep, and creating an unattractive look to the area.
- *Glare:* Poorly-designed or poorly installed lighting can cause a great deal of glare that can severely hamper the vision of pedestrians, cyclists, and drivers, creating a hazard rather than increasing safety. Glare occurs when you can see light directly from the fixture (or bulb).

- *Sky Glow:* A large fraction of poor lighting shines directly upwards, creating the adverse sky glow above our cities that washes our view of the dark night sky, taking away an important natural resource. In addition to the cost savings, less sky glow will allow future generations to enjoy the beauty of the stars, and children will be inspired to learn and perhaps to enter fields of science.

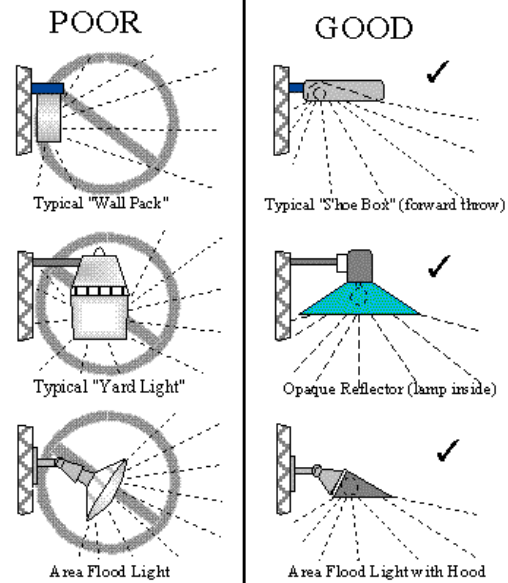
What is Good Lighting?

1. It provides adequate light for the intended task, but never over-lights.
2. It uses "fully-shielded" lighting fixtures, fixtures that control the light output in order to keep the light in the intended area.
3. It has the lighting fixtures carefully installed to maximize their effectiveness on the targeted property and minimize their adverse impact beyond the property borders.
4. It uses fixtures with high-efficiency lamps, while still considering the color and quality as essential design criteria.

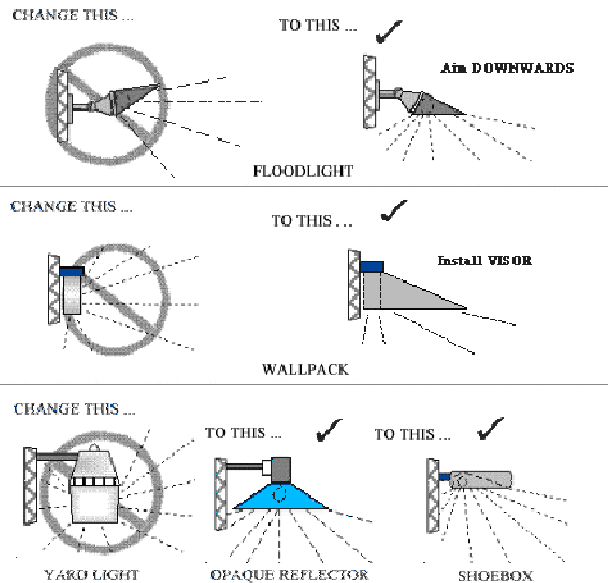
Some Basic Considerations Example Lighting:

- Always remember that lighting should benefit people. Controlled, effective, efficient lighting at your home or business will enhance the surroundings and give a sense of safety and security.
- Check your site at night before installing lighting and note the existing light levels. If the area has low levels of lighting, then modest levels of light will work well for you and will fit more hospitably in the neighborhood.
- Try to keep the lighting uniform and reduce glare as much as possible.
- Be aware that light fixtures can have different lighting patterns. Pick the right pattern for your job.
- Consider using lights that turn on by motion detection. Not only will you reap big savings in operating costs, but you will have a far more effective security light due to its "instant-on" characteristics.

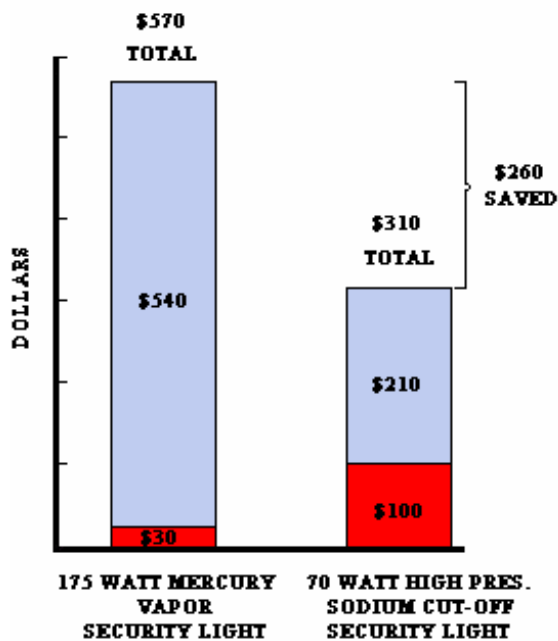
EXAMPLES OF SOME COMMON LIGHTING FIXTURES



MODIFYING EXISTING FIXTURES



Example Savings:



AREA LIGHT